



## A3 Modular Series EziJac

The EziJac Stud Tensioner provides accurate and versatile tensioning of bolts and studs whilst being fast, simple and safe to use.

The EziJac uses hydraulic pressure to tension the bolt to the exact load required. Once the bolt has been tensioned, the nut is wound down the thread to retain the load. The EziJac is then de-pressurised, released and ready to use again.



### Features:

- Reduces maintenance down time.
- Improves safety on the job by eliminating hammer tightening.
- Gives reliable and precise tensioning.
- Is user friendly - fast to fit and remove.
- Requires little physical effort.
- Is ideal for confined spaces or difficult locations.
- Multiple tensioning for leak-free flange makeup.

### Currently used in:

- Mining & Quarrying
- Oil & Gas
- Marine
- Power Generation
- Agricultural
- Structural
- Heavy Equipment in general industry
- Chemical Plants

### Suitable for:

The EziJac is suitable for use where:

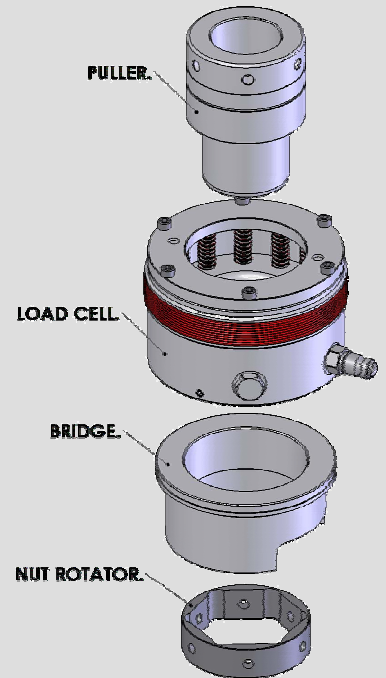
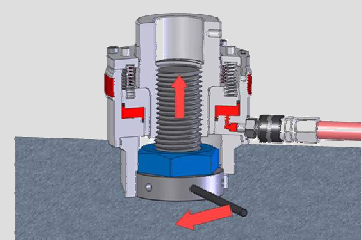
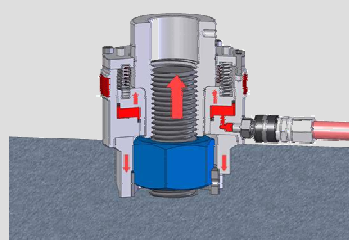
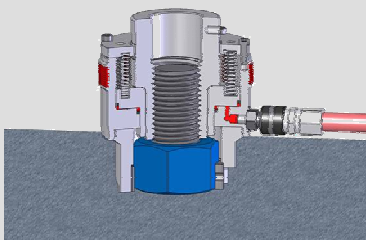
- Accurate and reliable loading is required on bolting.
- Vibrational or torsional stresses are a problem.
- Regular maintenance requires repeated adjustment or removal of nuts.
- There are confined and difficult nut locations.
- Simultaneous tightening of bolts is required (eg: Flanges)

### Operation

(a) Place the EziJac onto the stud.

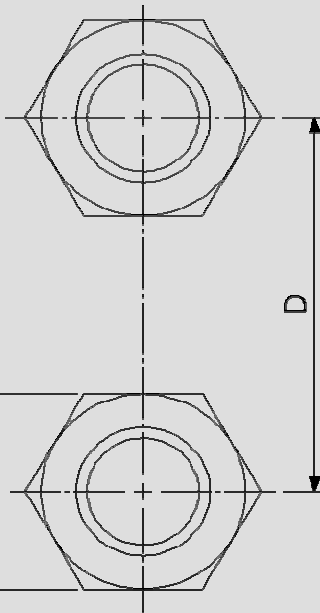
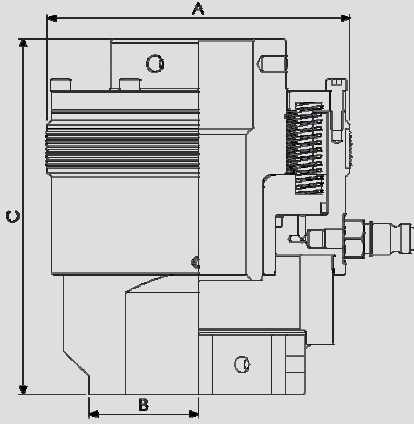
(b) Pressurise the tool.

(c) Lock the nut off.





## A3 EziJac Technical Specifications



These dimensions are a guide only

Note: All dimensions in millimetres

| Tool # | Size Imp | Size ISO | Kit # P=Pitch | Max-Force kN | O/D (A) | Min Pitch (D) | Relief (B) | Height (C) | Nut Thick | Nut A.F (E) | Total Weight | A/K Weig |
|--------|----------|----------|---------------|--------------|---------|---------------|------------|------------|-----------|-------------|--------------|----------|
| T2     | 7/8"     |          | T2-014XP      | 361          | 88      | 59            | 26         | 117        | 21.8      | 36.5        | 3.1          | 1.5      |
|        | 1"       |          | T2-100XP      |              |         | 59            | 29         | 117        | 25.7      | 41.3        |              |          |
|        |          | M24      | T2-M24X30     |              |         | 59            | 29         | 117        | 24.2      | 41          |              |          |
|        | 1.1/8"   |          | T2-102XP      |              |         | 60            | 32         | 124        | 28.9      | 46          |              |          |
|        |          | M27      | T2-M27X30     |              |         | 60            | 32         | 124        | 27.6      | 46          |              |          |
| T3     |          | M30      | T3-M30X35     | 546          | 104     | 72            | 36         | 142        | 30.7      | 50          | 4.2          | 2.3      |
|        | 1.1/4"   |          | T3-104XP      |              |         | 73            | 36         | 142        | 31.8      | 50.8        |              |          |
|        |          | M33      | T3-M33X35     |              |         | 73            | 36         | 145        | 33.7      | 55          |              |          |
|        | 1.3/8"   |          | T3-106XP      |              |         | 76            | 39         | 147        | 35        | 55.8        |              |          |
|        |          | M36      | T3-M36X40     |              |         | 76            | 39         | 147        | 36.6      | 60          |              |          |
| T4     | 1.1/4"   |          | T4-104XP      | 666          | 114     | 77            | 36         | 144        | 31.8      | 50.8        | 6.1          | 3.1      |
|        |          | M33      | T4-M33X35     |              |         | 77            | 36         | 146        | 33.7      | 55          |              |          |
|        | 1.3/8"   |          | T4-106XP      |              |         | 78            | 39         | 147        | 35        | 55.8        |              |          |
|        |          | M36      | T4-M36X40     |              |         | 78            | 39         | 149        | 36.6      | 60          |              |          |
|        | 1.1/2"   |          | T4-108XP      |              |         | 80            | 42         | 150        | 38.2      | 60.4        |              |          |
|        |          | M39      | T4-M39X40     |              |         | 80            | 42         | 151        | 39.6      | 65          |              |          |
| T5     | 1.1/2"   |          | T5-108XP      | 964          | 134     | 89            | 42         | 166        | 38.2      | 60.4        | 9.8          | 5.2      |
|        |          | M39      | T5-M39X40     |              |         | 89            | 42         | 169        | 39.6      | 65          |              |          |
|        | 1.5/8"   |          | T5-110XP      |              |         | 91            | 45         | 170        | 41.5      | 65.1        |              |          |
|        |          | M42      | T5-M42X45     |              |         | 91            | 45         | 173        | 42        | 70          |              |          |
|        | 1.3/4"   |          | T5-112XP      |              |         | 94            | 49         | 174        | 44.7      | 69.9        |              |          |
|        |          | M45      | T5-M45X45     |              |         | 94            | 49         | 174        | 45        | 75          |              |          |
| T6     | 1.5/8"   |          | T6-110XP      | 1 217        | 149     | 99            | 45         | 166        | 41.5      | 65.1        | 11.6         | 5.8      |
|        |          | M42      | T6-M42X45     |              |         | 99            | 45         | 167        | 42        | 70          |              |          |
|        | 1.3/4"   |          | T6-112XP      |              |         | 101           | 49         | 170        | 44.7      | 69.9        |              |          |
|        |          | M45      | T6-M45X45     |              |         | 101           | 49         | 170        | 45        | 75          |              |          |
|        | 1.7/8"   |          | T6-114XP      |              |         | 102           | 51         | 173        | 47.9      | 74.7        |              |          |
|        |          | M48      | T6-M48X50     |              |         | 102           | 51         | 171        | 48        | 80          |              |          |
|        | 2"       |          | T6-200XP      |              |         | 105           | 54         | 176        | 51.1      | 79.4        |              |          |
|        |          | M52      | T6-M52X50     |              |         | 105           | 54         | 178        | 52        | 85          |              |          |
| T7     | 1.7/8"   |          | T7-114XP      | 1 496        | 162     | 110           | 51         | 181        | 47.9      | 74.7        | 13.7         | 6.9      |
|        |          | M48      | T7-M48X50     |              |         | 110           | 51         | 181        | 48        | 80          |              |          |
|        | 2"       |          | T7-200XP      |              |         | 112           | 54         | 181        | 51.1      | 79.4        |              |          |
|        |          | M52      | T7-M52X50     |              |         | 112           | 54         | 181        | 52        | 85          |              |          |
|        | 2.1/4"   |          | T7-204XP      |              |         | 119           | 59         | 185        | 57.2      | 88.9        |              |          |
|        |          | M56      | T7-M56X55     |              |         | 119           | 59         | 185        | 56        | 90          |              |          |
| T8     | 2.1/4"   |          | T8-204XP      | 1 900        | 184     | 124           | 59         | 186        | 57.2      | 88.9        | 21.0         | 10.6     |
|        |          | M56      | T8-M56X55     |              |         | 124           | 59         | 186        | 56        | 90          |              |          |
|        |          | M60      | T8-M60X55     |              |         | 131           | 65         | 191        | 60        | 95          |              |          |
|        | 2.1/2"   |          | T8-208XP      |              |         | 131           | 65         | 193        | 63.7      | 98.5        |              |          |
|        |          | M64      | T8-M64X60     |              |         | 131           | 65         | 193        | 64        | 100         |              |          |
| T9     | 2.1/2"   |          | T9-208XP      | 2 508        | 202     | 136           | 65         | 203        | 63.7      | 98.5        | 26.2         | 13.5     |
|        |          | M64      | T9-M64X60     |              |         | 136           | 65         | 203        | 64        | 100         |              |          |
|        |          | M68      | T9-M68X60     |              |         | 146           | 71         | 207        | 68        | 105         |              |          |
|        | 2.3/4"   |          | T9-212XP      |              |         | 146           | 71         | 209        | 70.1      | 108         |              |          |
|        |          | M72      | T9-M72X60     |              |         | 146           | 71         | 211        | 72        | 110         |              |          |
| T10    | 2.3/4"   |          | T10-212XP     | 2 903        | 219     | 150           | 71         | 213        | 70.1      | 108         | 31.1         | 15.2     |
|        |          | M72      | T10-M72X60    |              |         | 150           | 71         | 215        | 72        | 110         |              |          |
|        | 3"       |          | T10-300XP     |              |         | 157           | 77         | 220        | 76.5      | 117.5       |              |          |
|        |          | M76      | T10-M76X60    |              |         | 157           | 77         | 220        | 76        | 115         |              |          |
| T11    | 3"       |          | T11-300XP     | 3 777        | 242     | 161           | 77         | 224        | 76.5      | 117.5       | 39.0         | 19.6     |
|        |          | M76      | T11-M76X60    |              |         | 161           | 77         | 224        | 76        | 115         |              |          |
|        |          | M80      | T11-M80X60    |              |         | 163           | 77         | 227        | 80        | 120         |              |          |
|        | 3.1/4"   |          | T11-304XP     |              |         | 175           | 87         | 230        | 82.6      | 127         |              |          |
|        |          | M85      | T11-M85X60    |              |         | 175           | 87         | 234        | 85        | 125         |              |          |
|        | 3.1/2"   |          | T11-308XP     |              |         | 177           | 93         | 236        | 89.1      | 136.5       |              |          |
|        |          | M90      | T11-M90X60    |              |         | 177           | 93         | 239        | 90        | 135         |              |          |
| T12    | 3.3/4"   |          | T12-312XP     | 4 927        | 280     | 202           | 99         | 238        | 95.5      | 146         | 55.9         | 27.4     |
|        |          | M95      | T12-M95X60    |              |         | 202           | 99         | 238        | 95        | 145         |              |          |
|        | 4"       |          | T12-400XP     |              |         | 212           | 105        | 245        | 102       | 155.6       |              |          |
|        |          | M100     | T12-M100X60   |              |         | 212           | 105        | 245        | 100       | 150         |              |          |

- ❑ Stroke for all models is 15mm.
- ❑ Maximum force is generated at 150 MPa.
- ❑ EziJac ordered as a complete tool, for example: A3S-T4-M36X40 is specified to suit M36 x 4.
- ❑ Adaptor kits ordered separately, for example T4-M36X40 is specified to suit M36 X 4.0.



technofast  
precision engineered solutions

